

# Technical Product Sheet

## BV12S-2466VB-PN10 - Lever

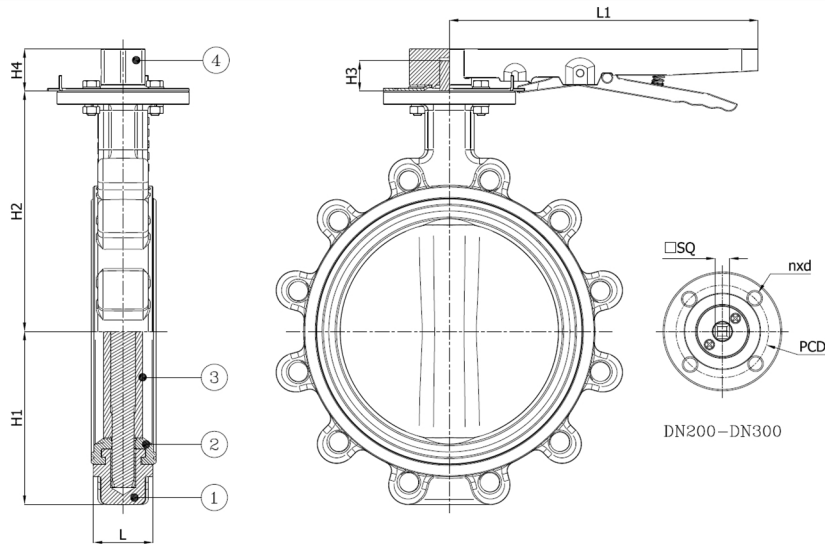
Lug type butterfly valve, mounting between flanges PN10, with lockable lever

Face to Face Standard: EN 558-1 Table 1 series 20

Seat made of FPM (Viton BIO), suitable for steam, biodiesel, acids..., max. operating pressure 16 bar, -5°C to 200°C



Item Number	Belven Ref.
12S002047VB10200	BV12S-2466VB-PN10-DN200 - LEVER
12S002047VB10250	BV12S-2466VB-PN10-DN250 - LEVER
12S002047VB10300	BV12S-2466VB-PN10-DN300 - LEVER



DN/Size	L	H1	H2	H3	H4	L1	SQ	ISO	PCD	n x d1	Press.Cl.	Weight(kg)
DN200 (8")	60	165	243,5	34,5	45	350	17	F10	102	4 x d12	PN10	21.50
DN250 (10")	68	202	273	34,5	45	350	22	F10	102	4 x d12	PN10	32.00
DN300 (12")	78	235	311	34,5	45	350	27	F12	125	4 x d14	PN10	50.50

Item 1	Item 2	Item 3	Item 4
<b>Body Material</b>	<b>Seat Material</b>	<b>Disc Material</b>	<b>Actuator Material</b>
Ductile iron : GGG40 + Epoxy coating	FPM-BIO	Stainless steel : CF8M	Malleable iron