

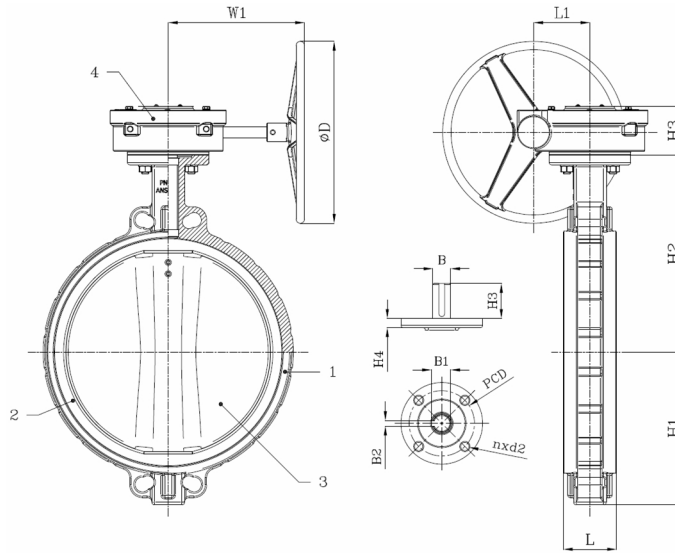
# Technical Product Sheet

## BV10-2366E-PN10/A150 - Gearbox

Wafer type butterfly valve, mounting between flanges PN10/A150, DN600 only PN10, with gearbox  
Face to Face Standard: EN 558-1 Table 1 series 20



Item Number	Belven Ref.
101026E3350	BV10-2366E-PN10-DN350 - GEARBOX
101026E3400	BV10-2366E-PN10-DN400 - GEARBOX
101026E3450	BV10-2366E-PN10-DN450 - GEARBOX
101026E3500	BV10-2366E-PN10-DN500 - GEARBOX
101026E3600	BV10-2366E-PN10-DN600 - GEARBOX



DN/Size	L	H1	H2	H3	H4	L1	B	B1	B2	ISO	PCD	n x d1	D	W1	Press.Cl.	Weight(kg)
DN350 (14")	78	259	368	82	20	80,5	28	31	8	F14	140	4 x d18	300	224	PN10	54.50
DN400 (16")	102	309	400	105,5	20	120,5	38	41	12	F14	140	4 x d18	390	292	PN10	87.00
DN450 (18")	114	327	422	105,5	20	120,5	38	41	12	F14	140	4 x d18	390	292	PN10	101.50
DN500 (20")	127	361	480	147	22	121,5	45	48,5	14	F16	165	4 x d23	390	349	PN10	149.00
DN600 (24")	154	459	562	147	22	121,5	55	58,5	14	F16	165	4 x d23	390	337	PN10	239.80

Item 1	Item 2	Item 3	Item 4
Body Material	Seat Material	Disc Material	Actuator Material
Cast iron : GG25 + Epoxy coating	EPDM	Stainless steel : CF8M	Cast iron

Belven N.V.

Blokhuisstraat 24 | 2800 Mechelen | Belgium

Tel. 015 29 40 70 | Fax. 015 20 14 13 | [info@belven.com](mailto:info@belven.com) | [www.belven.com](http://www.belven.com)

We keep the right to change the mentioned dimensions, weights, values and materials at any time without prior or direct notice.