

Technical Product Sheet

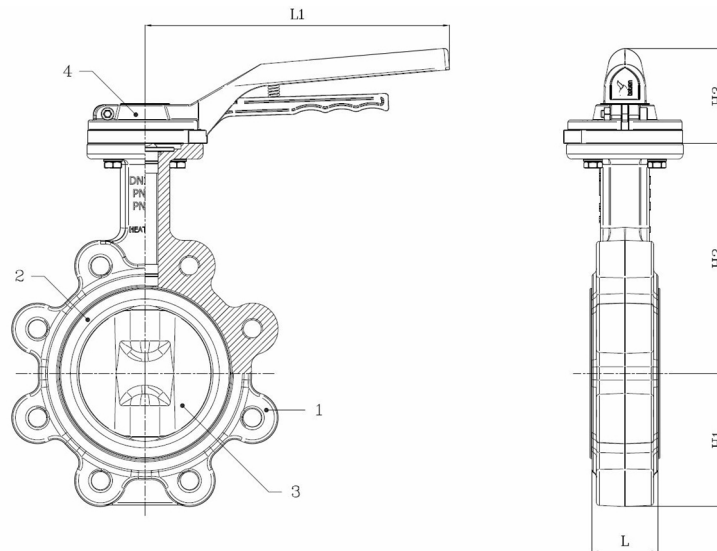
BV12-2425E-PN10/PN16 - Aluminium Lever

Lug type butterfly valve, mounting between flanges PN10/PN16, with aluminium lever

Face to Face Standard: EN 558-1 Table 1 series 20



| Item Number | Belven Ref. |
|--------------|-----------------------------------|
| 121023E1A050 | BV12-2425E-PN16-DN050 - ALU LEVER |
| 121023E1A065 | BV12-2425E-PN16-DN065 - ALU LEVER |
| 121023E1A080 | BV12-2425E-PN16-DN080 - ALU LEVER |
| 121023E1A100 | BV12-2425E-PN16-DN100 - ALU LEVER |
| 121023E1A125 | BV12-2425E-PN16-DN125 - ALU LEVER |
| 121023E1A150 | BV12-2425E-PN16-DN150 - ALU LEVER |



| DN/Size | L | H1 | H2 | H3 | L1 | Press.Cl. | Weight(kg) |
|----------------|----|------|-------|----|-----|-----------|------------|
| DN050 (2") | 43 | 71,4 | 142,7 | 65 | 210 | PN16 | 3.70 |
| DN065 (2 1/2") | 46 | 77,8 | 155,4 | 65 | 210 | PN16 | 4.30 |
| DN080 (3") | 46 | 89 | 161,8 | 65 | 210 | PN16 | 5.00 |
| DN100 (4") | 52 | 102 | 178 | 65 | 210 | PN16 | 7.50 |
| DN125 (5") | 56 | 123 | 190,5 | 65 | 210 | PN16 | 9.50 |
| DN150 (6") | 56 | 138 | 205,2 | 65 | 210 | PN16 | 11.20 |

| Item 1 | Item 2 | Item 3 | Item 4 |
|--------------------------------------|---------------|----------------------------|-------------------|
| Body Material | Seat Material | Disc Material | Actuator Material |
| Ductile iron : GGG40 + Epoxy coating | EPDM | Nickel plated : GGG40 + Ni | Aluminium |

Belven N.V.

Blokhuisstraat 24 | 2800 Mechelen | Belgium

Tel. 015 29 40 70 | Fax. 015 20 14 13 | info@belven.com | www.belven.com

We keep the right to change the mentioned dimensions, weights, values and materials at any time without prior or direct notice.