

# Technical Product Sheet



## BV12-2466E-PN10 - Double Acting

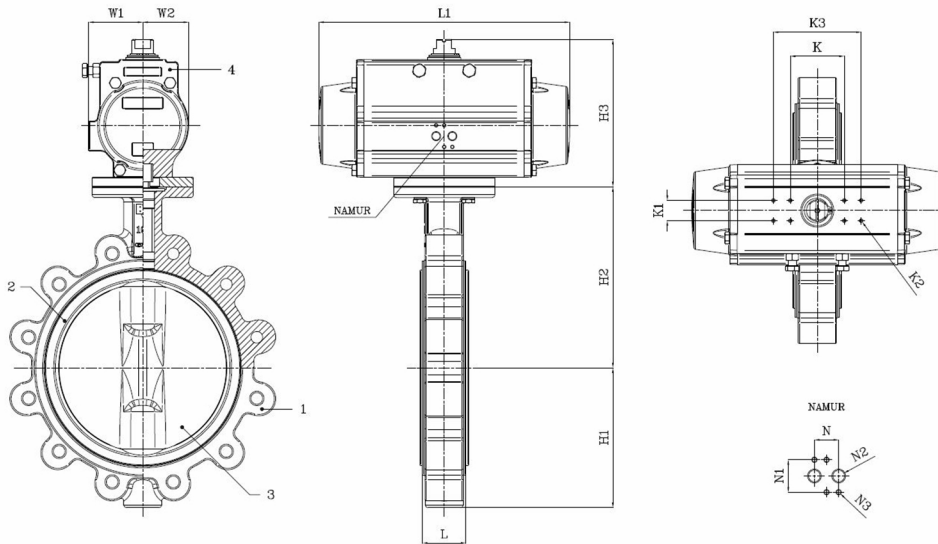
Lug type butterfly valve, mounting between flanges PN10, with double acting actuator

Face to Face Standard: EN 558-1 Table 1 series 20

The actuator is selected for 20°C water with a pressure drop of 6 bar with 6 bar supply air pressure and minimum 1 cycle per week



| Item Number    | Belven Ref.                   |
|----------------|-------------------------------|
| 121026EDA20200 | BV12-2466E-PN10-DN200 - DA115 |
| 121026EDA20250 | BV12-2466E-PN10-DN250 - DA125 |
| 121026EDA20300 | BV12-2466E-PN10-DN300 - DA140 |



| DN/Size     | L  | H1    | H2    | H3    | H4 | L1  | W1   | W2   | K  | K3  | K1 | K2 | N  | N1 | N2   | N3 | Press.Cl. | Weight(kg) |
|-------------|----|-------|-------|-------|----|-----|------|------|----|-----|----|----|----|----|------|----|-----------|------------|
| DN200 (8")  | 60 | 168   | 237   | 205,9 | 30 | 333 | 73   | 64   | 80 | 130 | 30 | M5 | 24 | 32 | 1/4" | M5 | PN10      | 24.70      |
| DN250 (10") | 68 | 207   | 268,3 | 209,4 | 30 | 372 | 80   | 68   | 80 | 130 | 30 | M5 | 24 | 32 | 1/4" | M5 | PN10      | 40.80      |
| DN300 (12") | 78 | 243,5 | 308,5 | 232   | 30 | 435 | 87,5 | 76,5 | 80 | 130 | 30 | M5 | 24 | 32 | 1/4" | M5 | PN10      | 60.60      |

| Item 1                               | Item 2               | Item 3                 | Item 4                   |
|--------------------------------------|----------------------|------------------------|--------------------------|
| <b>Body Material</b>                 | <b>Seat Material</b> | <b>Disc Material</b>   | <b>Actuator Material</b> |
| Ductile iron : GGG40 + Epoxy coating | EPDM                 | Stainless steel : CF8M | Extruded aluminium       |

Belven N.V.

Blokhuisstraat 24 | 2800 Mechelen | Belgium

Tel. 015 29 40 70 | Fax. 015 20 14 13 | [info@belven.com](mailto:info@belven.com) | [www.belven.com](http://www.belven.com)

We keep the right to change the mentioned dimensions, weights, values and materials at any time without prior or direct notice.