

Technical Product Sheet

BV4-4766T-PN16 - Double Acting

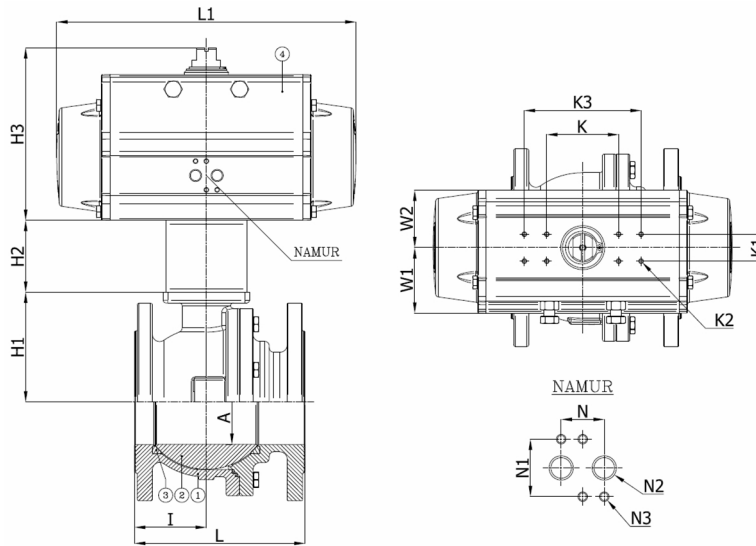
Ball valve, full bore, split body, flanged PN16, with double acting actuator

Face to Face Standard: EN 558-1 series 27

The actuator is selected for 25°C water with a pressure drop of 16 bar with 6 bar supply air pressure and minimum 1 cycle per week



Item Number	Belven Ref.
043D07DA1065	BV4-4766T-PN16-DN065 - DA085
043D07DA1080	BV4-4766T-PN16-DN080 - DA100
043D07DA1100	BV4-4766T-PN16-DN100 - DA100
043D07DA1125	BV4-4766T-PN16-DN125 - DA115
043D07DA1150	BV4-4766T-PN16-DN150 - DA125
043D07DA1200	BV4-4766T-PN16-DN200 - DA160



DN/Size	L	H1	H2	H3	A	I	L1	W1	W2	K	K3	K1	N	N1	N2	N3	Press.Cl.	Weight(kg)
DN065 (2 1/2")	170	93,5	60	145	64	61	240,5	58,5	47,5	80		30	24	32	1/8"	M5	PN16	20.40
DN080 (3")	180	108	80	157,8	76	75,5	275	68	55	80		30	24	32	1/4"	M5	PN16	25.00
DN100 (4")	190	122	80	157,8	95	80	275	68	55	80	130	30	24	32	1/4"	M5	PN16	32.60
DN125 (5")	325	144	80	192,4	125	149	333	73	64	80	130	30	24	32	1/4"	M5	PN16	57.40
DN150 (6")	350	177	100	204,4	150	157	372	80	68	80	130	30	24	32	1/4"	M5	PN16	86.80
DN200 (8")	400	220	100	251	200	190	500	99	87	80	130	30	24	32	1/4"	M5	PN16	156.80

Item 1	Item 2	Item 3	Item 4
Body Material	Ball Material	Seat Material	Actuator Material
Low-temperature steel : 1.1156 (LCB)	Stainless steel : A182-F304 / A351-CF8	PTFE	Extruded aluminium

Belven N.V.

Blokhuisstraat 24 | 2800 Mechelen | Belgium

Tel. 015 29 40 70 | Fax. 015 20 14 13 | info@belven.com | www.belven.com

We keep the right to change the mentioned dimensions, weights, values and materials at any time without prior or direct notice.