

Technical Product Sheet

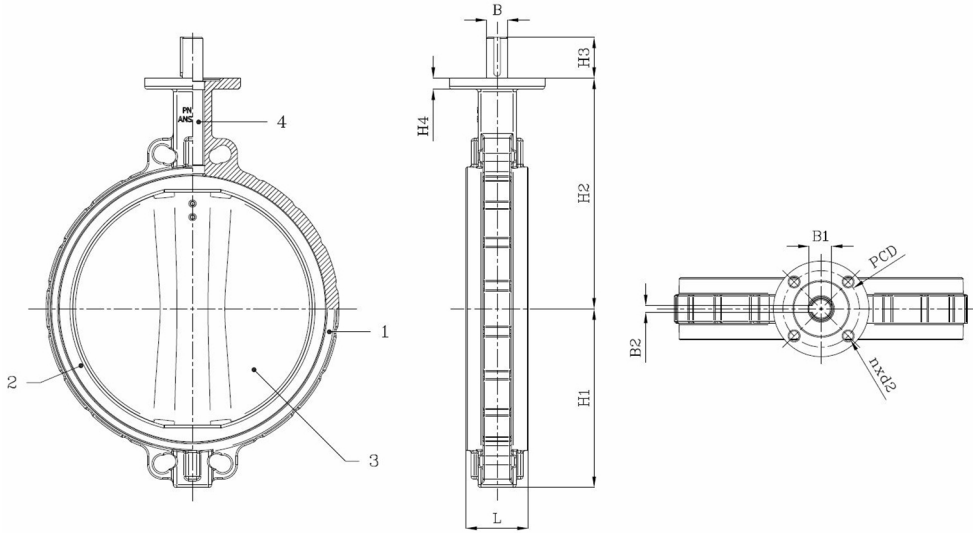
BV10-2366E-PN10/A150 - Bare Shaft

Wafer type butterfly valve, mounting between flanges PN10/A150, DN600 only PN10, bare shaft

Face to Face Standard: EN 558-1 Table 1 series 20



Item Number	Belven Ref.
101026E0350	BV10-2366E-PN10-DN350 - BARE SHAFT
101026E0400	BV10-2366E-PN10-DN400 - BARE SHAFT
101026E0450	BV10-2366E-PN10-DN450 - BARE SHAFT
101026E0500	BV10-2366E-PN10-DN500 - BARE SHAFT
101026E0600	BV10-2366E-PN10-DN600 - BARE SHAFT



DN/Size	L	H1	H2	H3	H4	B	B1	B2	ISO	PCD	n x d1	Press.Cl.	Weight(kg)
DN350 (14")	78	259	368	65	20	28	31	8	F14	140	4 x d14	PN10	42.50
DN400 (16")	102	309	400	75	20	38	41	12	F14	140	4 x d18	PN10	52.00
DN450 (18")	114	327	422	75	20	38	41	12	F14	140	4 x d18	PN10	87.00
DN500 (20")	127	361	480	90	22	45	48,5	14	F16	165	4 x d23	PN10	98.00
DN600 (24")	154	459	562	100	22	55	58,5	14	F16	165	4 x d23	PN10	133.00

Item 1	Item 2	Item 3	Item 4
Body Material	Seat Material	Disc Material	Actuator Material
Cast iron : GG25 + Epoxy coating	EPDM	Stainless steel : CF8M	SS Stem AISI 416

Belven N.V.

Blokhuisstraat 24 | 2800 Mechelen | Belgium

Tel. 015 29 40 70 | Fax. 015 20 14 13 | info@belven.com | www.belven.com

We keep the right to change the mentioned dimensions, weights, values and materials at any time without prior or direct notice.