

Technical Product Sheet

BV12-2425B-PN10 - Double Acting

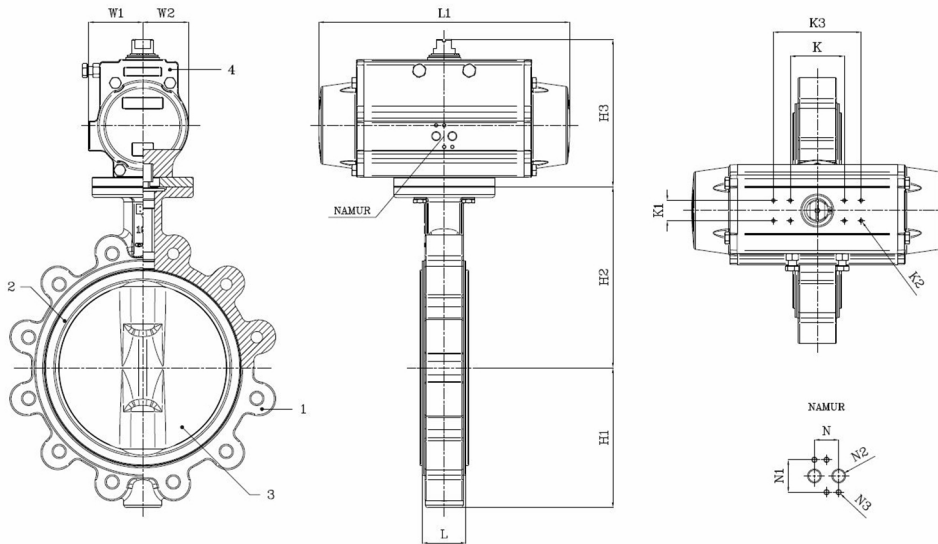
Lug type butterfly valve, mounting between flanges PN10, with double acting actuator

Face to Face Standard: EN 558-1 Table 1 series 20

The actuator is selected for 20°C water with a pressure drop of 6 bar with 6 bar supply air pressure and minimum 1 cycle per week



Item Number	Belven Ref.
121023BDA20200	BV12-2425B-PN10-DN200 - DA115
121023BDA20250	BV12-2425B-PN10-DN250 - DA125
121023BDA20300	BV12-2425B-PN10-DN300 - DA140



DN/Size	L	H1	H2	H3	L1	W1	W2	K	K3	K1	K2	N	N1	N2	N3	Press.Cl.	Weight(kg)
DN200 (8")	60	168	237	205,9	333	73	64	80	130	30	M5	24	32	1/4"	M5	PN10	24.70
DN250 (10")	68	207	268,3	209,4	372	80	68	80	130	30	M5	24	32	1/4"	M5	PN10	40.80
DN300 (12")	78	243,5	308,5	232	435	87,5	76,5	80	130	30	M5	24	32	1/4"	M5	PN10	60.60

Item 1	Item 2	Item 3	Item 4
Body Material	Seat Material	Disc Material	Actuator Material
Ductile iron : GGG40 + Epoxy coating	NBR	Nickel plated : GGG40 + Ni	Extruded aluminium