

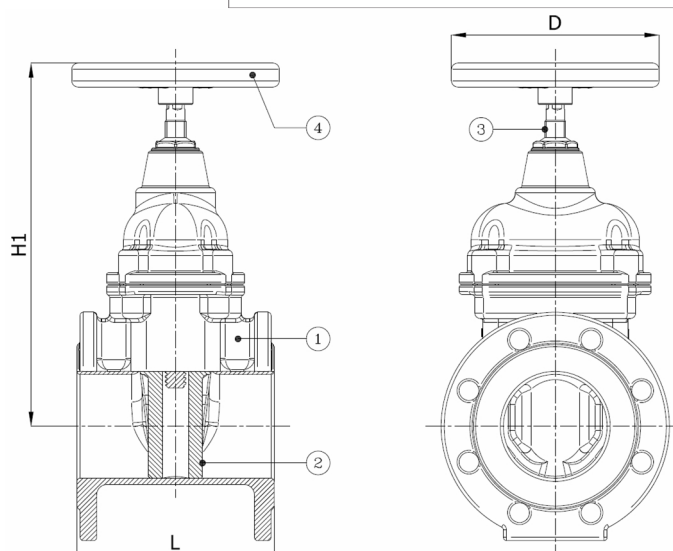
BV49-3434E-F4-PN10/PN16 - VOLANT

Vanne à coin, à brides PN16, opercule caoutchouc, F4 longueur courte, avec volant, temp. max. 80°C

Norme d'écartement: EN 558-1 série 14



N° d'article	Réf. Belven
BV49-3434E-F4-PN10	
BV49-3434E-F4-PN10 - NOT PUBLISHED A3-A4	
BV49-3434E-F4-PN10-BS NOT PUBLISHED A3-A4	
BV49-3434E-F4-PN16 DN040-DN150	
BV49-3434E-F4-PN16 DN040-DN150 NOT PUBLISHED A3-A4	
BV49-3434E-F4-PN16 DN200-DN600	
BV49-3434E-F4-PN16 DN200-DN600 NOT PUBLISHED A3-A4	
BV49-3434E-F4-PN16-BS DN050-DN300 NOT PUBLISHED A4	
BV49-3434E-F4-PN16-BS DN350-DN600 NOT PUBLISHED A4	
BV49-3434E-F5-PN10 NOT PUBLISHED A4	
BV49-3434E-F5-PN10-BS NOT PUBLISHED A4	
BV49-3434E-F5-PN16 DN040-DN150 NOT PUBLISHED A4	
BV49-3434E-F5-PN16 DN200-DN600 NOT PUBLISHED A4	
BV49-3434E-F5-PN16-BS DN050-DN300 NOT PUBLISHED A4	
BV49-3434E-F5-PN16-BS DN350-DN600 NOT PUBLISHED A4	
BV49A-3434B-F4-PN10 DN200+250 PUBLISHED	
BV49A-3434B-F4-PN16 DN040-DN150	
BV49A-3434B-F4-PN16 DN200-DN600 NOT PUBLISHED A4	
BV49A-3434B-F5-PN10 NOT PUBLISHED A4	
BV49A-3434B-F5-PN16 DN040-DN150	
BV49A-3434B-F5-PN16 DN200-DN600	



Fiche Technique



BV49-3434E-F4-PN10/PN16 - VOLANT

DN/Pouce	Cl. press.	Poids(kg)
	PN10	
	PN16	

Belven N.V.

Blokhuisstraat 24 | 2800 Mechelen | Belgium

Tel. 015 29 40 70 | Fax. 015 20 14 13 | info@belven.com | www.belven.com

Nous nous réservons le droit de modifier les dimensions, poids, les valeurs et les matériaux, à tout moment, sans préavis.