

# Technical Product Sheet



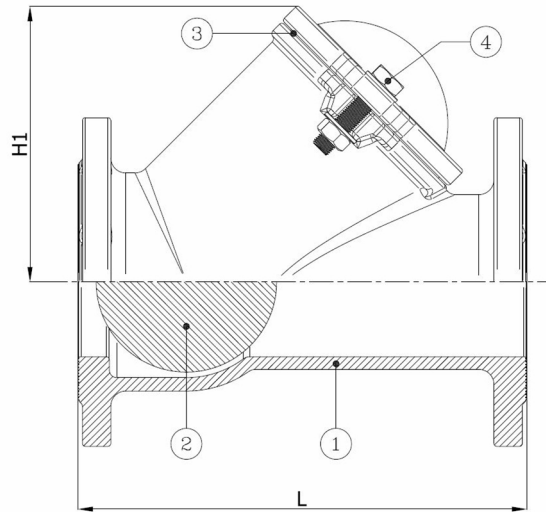
## BV41AQ-3444B-PN10

Ball check valve, flanged PN10 with sinking ball

Face to Face Standard: EN 558-1 series 48



Item Number	Belven Ref.
BV41AQ-3444B-BSP	
BV41AQ-3444B-PN10 DN200+250 Published	
BV41AQ-3444B-PN16	



DN/Size	Press.Cl.	Weight(kg)
	PN10	
	PN16	

Item 1	Item 2	Item 3
Body Material	Disc Material	Seat Material
Ductile iron : GGG50 + Epoxy coating		

Belven N.V.

Blokhuisstraat 24 | 2800 Mechelen | Belgium  
 Tel. 015 29 40 70 | Fax. 015 20 14 13 | [info@belven.com](mailto:info@belven.com) | [www.belven.com](http://www.belven.com)

We keep the right to change the mentioned dimensions, weights, values and materials at any time without prior or direct notice.