

Technical Product Sheet

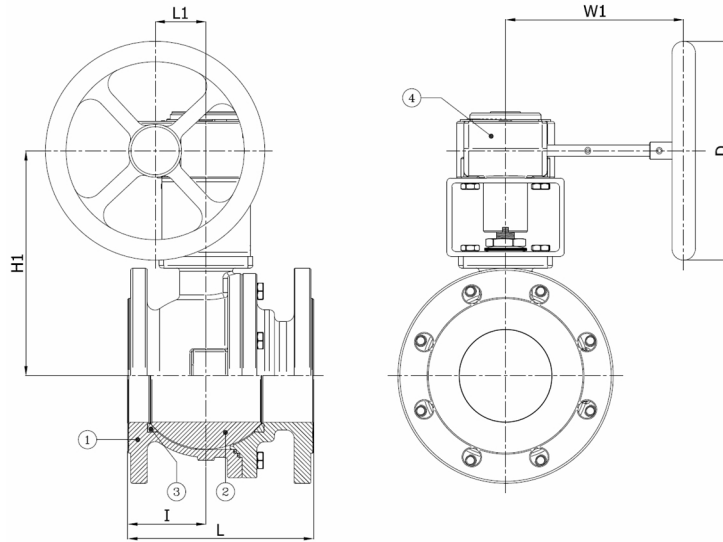
BV4-4466R-A300 - Aluminium Gearbox

Ball valve, full bore, split body, flanged ANSI 300lbs, with Rotork gearbox

Face to Face Standard: ANSI B16.10



Item Number	Belven Ref.
048A57F5015	BV4-4466R-A300-DN015 - GEARBOX
048A57F5020	BV4-4466R-A300-DN020 - GEARBOX
048A57F5025	BV4-4466R-A300-DN025 - GEARBOX
048A57F5040	BV4-4466R-A300-DN040 - GEARBOX
048A57F5050	BV4-4466R-A300-DN050 - GEARBOX
048A57F5080	BV4-4466R-A300-DN080 - GEARBOX
048A57F5100	BV4-4466R-A300-DN100 - GEARBOX
048A57F5150	BV4-4466R-A300-DN150 - GEARBOX



DN/Size	L	H1	I	L1	W1	D	Press.Cl.	Weight(kg)
DN015 (1/2")	140	110	61,5	45	119	100	A300	4.20
DN020 (3/4")	152	115	61	45	119	100	A300	4.70
DN025 (1")	165	132	70,5	45	119	100	A300	6.10
DN040 (1 1/2")	190	164	78,5	46	166	125	A300	9.50
DN050 (2")	216	169	86	46	166	125	A300	15.30
DN080 (3")	283	217	81	52	194	224	A300	25.80
DN100 (4")	305	230	88,5	52	194	224	A300	34.30
DN150 (6")	403	315	172	65	236	256	A300	86.50

Item 1	Item 2	Item 3	Item 4
Body Material	Ball Material	Seat Material	Actuator Material
Carbon steel : A216 WCB	Stainless steel : A182-F304 / A351-CF8	RPTFE	Aluminium

Belven N.V.

Blokhuisstraat 24 | 2800 Mechelen | Belgium

Tel. 015 29 40 70 | Fax. 015 20 14 13 | info@belven.com | www.belven.com

We keep the right to change the mentioned dimensions, weights, values and materials at any time without prior or direct notice.