

# Technical Product Sheet



## BV12-2425B-PN10/16 - Single Acting (AFC)

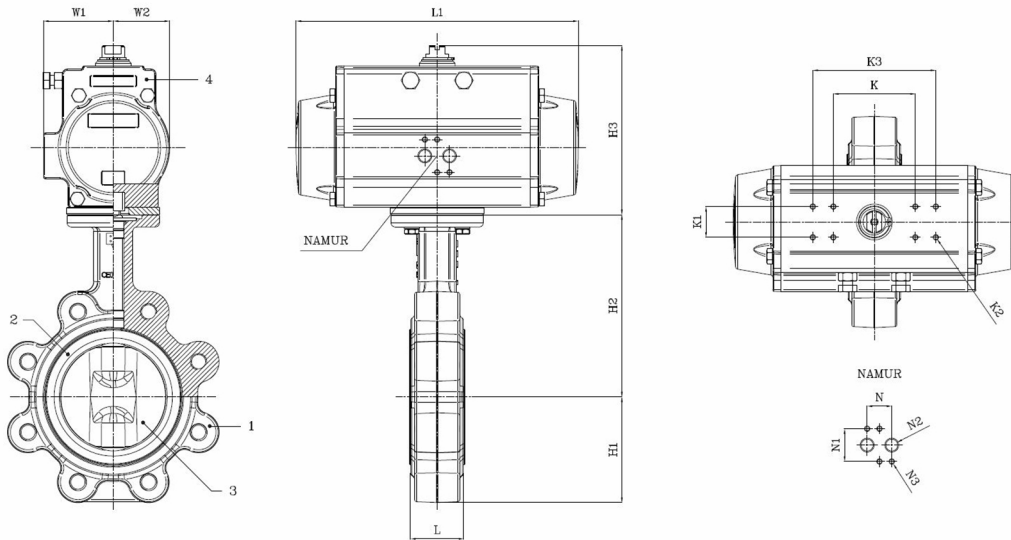
Lug type butterfly valve, mounting between flanges PN10/PN16, with spring return actuator AFC

Face to Face Standard: EN 558-1 Table 1 series 20

The actuator is selected for 20°C water with a pressure drop of 6 bar with 6 bar supply air pressure and minimum 1 cycle per week, at air pressure failure the springs will put the valve in closed position



| Item Number    | Belven Ref.                   |
|----------------|-------------------------------|
| 121023BSR20050 | BV12-2425B-PN16-DN050 - SR075 |
| 121023BSR20065 | BV12-2425B-PN16-DN065 - SR075 |
| 121023BSR20080 | BV12-2425B-PN16-DN080 - SR085 |
| 121023BSR20100 | BV12-2425B-PN16-DN100 - SR100 |
| 121023BSR20125 | BV12-2425B-PN16-DN125 - SR115 |
| 121023BSR20150 | BV12-2425B-PN16-DN150 - SR125 |



| DN/Size        | L  | H1   | H2    | H3    | L1    | W1   | W2   | K  | K3  | K1 | K2 | N  | N1 | N2   | N3 | Press.Cl. | Weight(kg) |
|----------------|----|------|-------|-------|-------|------|------|----|-----|----|----|----|----|------|----|-----------|------------|
| DN050 (2")     | 43 | 71,4 | 142,7 | 138,5 | 210   | 52,5 | 42   | 80 |     | 30 | M5 | 24 | 32 | 1/8" | M5 | PN16      | 7.70       |
| DN065 (2 1/2") | 46 | 77,8 | 155,4 | 138,5 | 210   | 52,5 | 42   | 80 |     | 30 | M5 | 24 | 32 | 1/8" | M5 | PN16      | 8.30       |
| DN080 (3")     | 46 | 89   | 161,8 | 152,4 | 240,5 | 58,5 | 47,5 | 80 |     | 30 | M5 | 24 | 32 | 1/8" | M5 | PN16      | 10.40      |
| DN100 (4")     | 52 | 102  | 178   | 165,2 | 275   | 68   | 55   | 80 |     | 30 | M5 | 24 | 32 | 1/4" | M5 | PN16      | 15.20      |
| DN125 (5")     | 56 | 123  | 190,5 | 192,4 | 333   | 73   | 64   | 80 | 130 | 30 | M5 | 24 | 32 | 1/4" | M5 | PN16      | 21.50      |
| DN150 (6")     | 56 | 138  | 205,2 | 204,4 | 372   | 80   | 68   | 80 | 130 | 30 | M5 | 24 | 32 | 1/4" | M5 | PN16      | 26.40      |

| Item 1                               | Item 2        | Item 3                     | Item 4             |
|--------------------------------------|---------------|----------------------------|--------------------|
| Body Material                        | Seat Material | Disc Material              | Actuator Material  |
| Ductile iron : GGG40 + Epoxy coating | NBR           | Nickel plated : GGG40 + Ni | Extruded aluminium |

Belven N.V.

Blokhuisstraat 24 | 2800 Mechelen | Belgium  
 Tel. 015 29 40 70 | Fax. 015 20 14 13 | info@belven.com | www.belven.com

We keep the right to change the mentioned dimensions, weights, values and materials at any time without prior or direct notice.